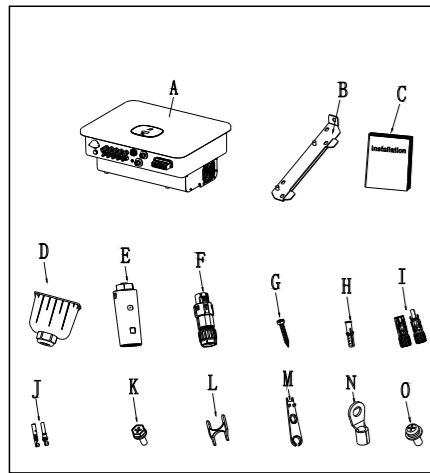


# MID 10-25KTL3-X Quick Guide



## 1. Overview



Object	Description	Quantity
A	Inverter	1
B	Mounting bracket	1
C	Quick Guide	1
D	AC Cable gland	1
E	Monitor(Optional)	1
F	Signal connector	1
F	DRM connector	1
G	Self-tapping screws	4
H	Plastic expansion pipe	4

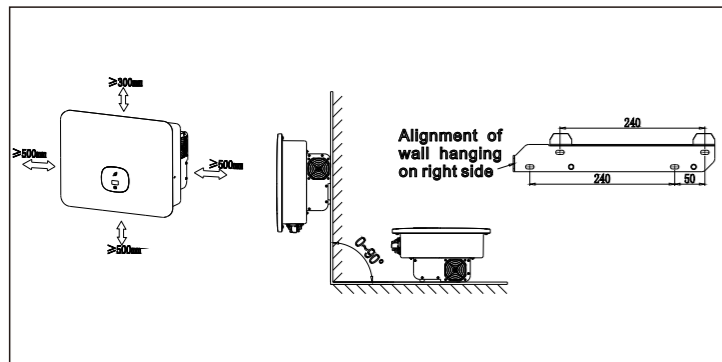
I	PV+/PV- terminal (MID 25KTL3-X 5/5PCS)	4/4
J	PV+/PV- metal terminal (MID 25KTL3-X 5/5PCS)	4/4
K	Safety-lock screw	1
L	Uninstall signal and AC connector tool	1
M	Uninstall PV terminal tool	1
N	HS 14-6	6
O	M4*10 screws	4

**Notice:**  
Before installing the device, check that the package contents are intact and complete against the packing list. If any damage is found or any component missing, contact your dealer.

## 2. Installing the Device

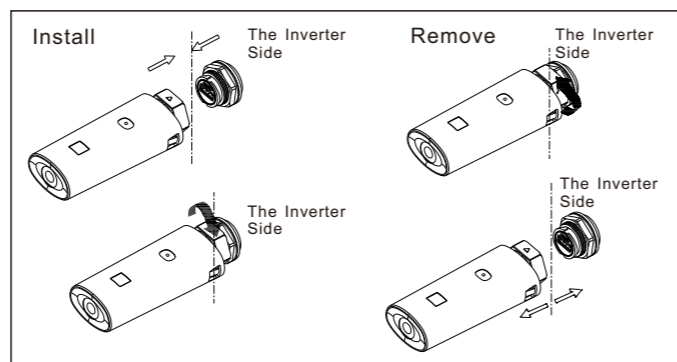
### 2.1 Installation Requirements

Tilt and Space

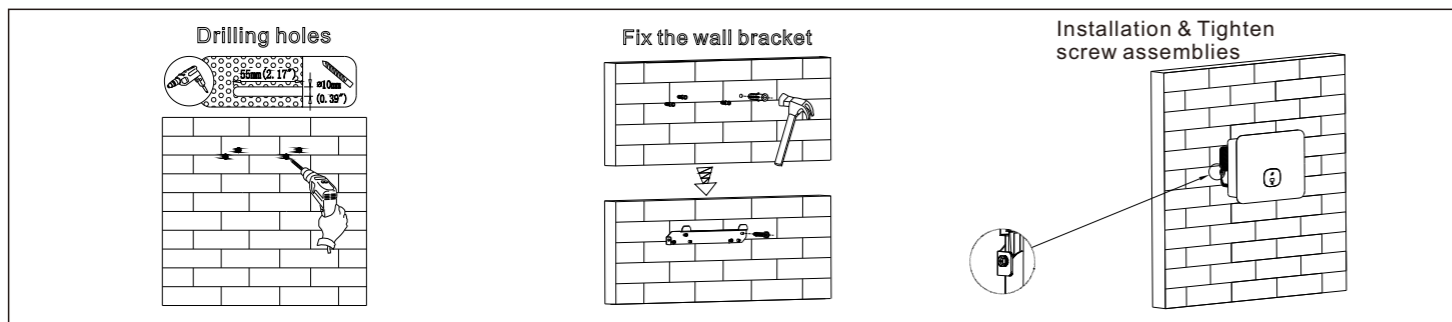


### 2.3 Installing the Monitor

Ensure that the Monitor is installed securely.

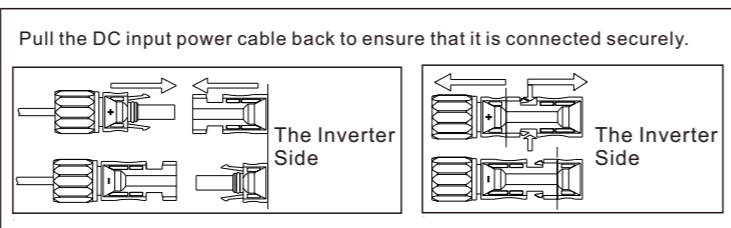
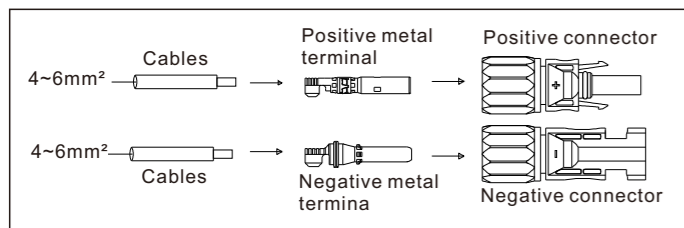


### 2.2 Installing the Mounting Bracket And MID 10-25KTL3-X

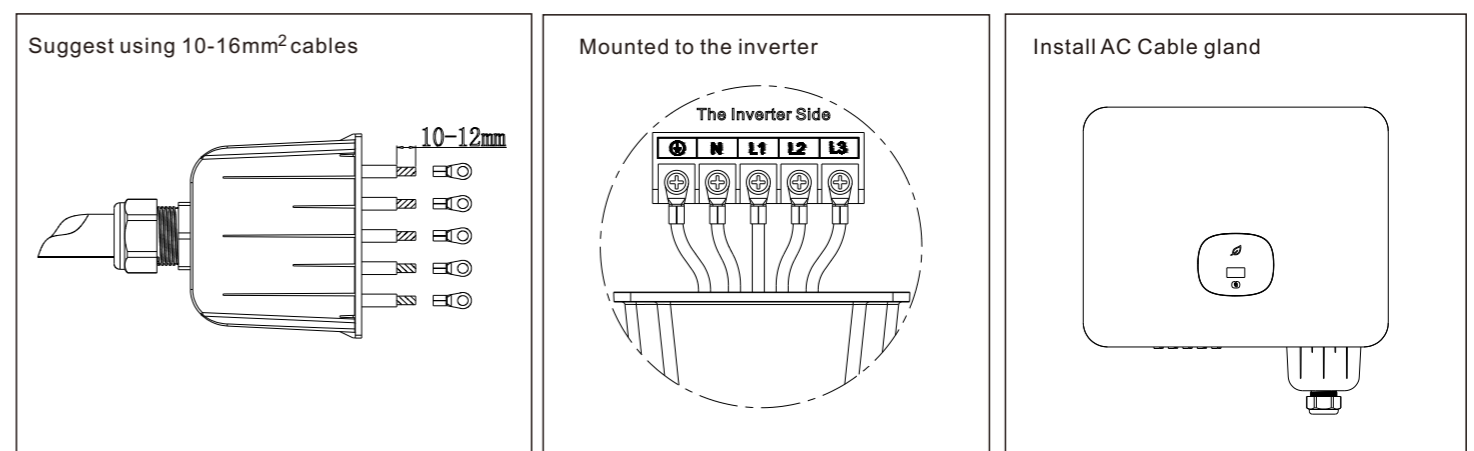


## 3. Connecting Cables

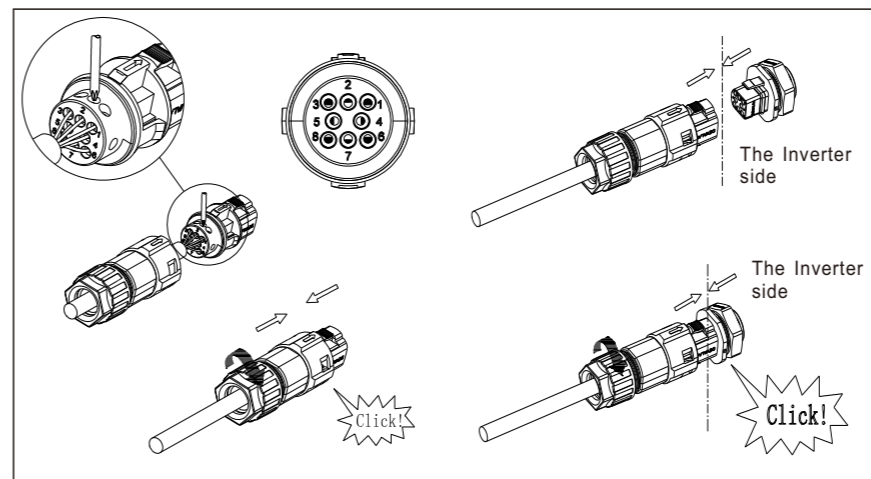
### 3.1 Installing the DC Input Power Cable



### 3.2 Installing the AC Output Power Cable



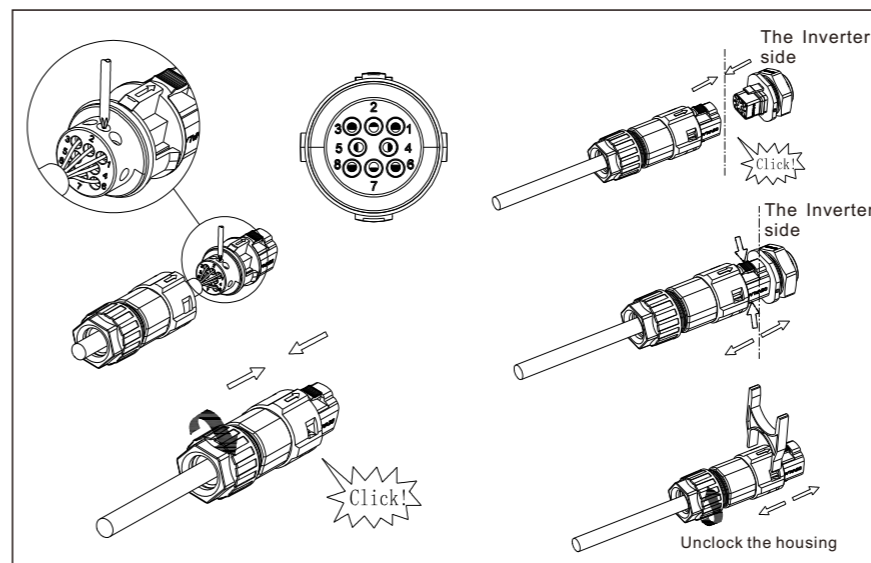
### 3.3 Installing the Signal Cable



COM Port Pin Definitions

NO.	Definition	
1	Dry contact +	External dry contact
2	Dry contact -	
3	RS485A+	Signal for monitor
4	RS485B-	
5	AntiReFlux-A	RS485A for meter
6	AntiReFlux-B	RS485B for meter

### 3.4 Installing the DRMS Cable



DRM Port Pin Definitions

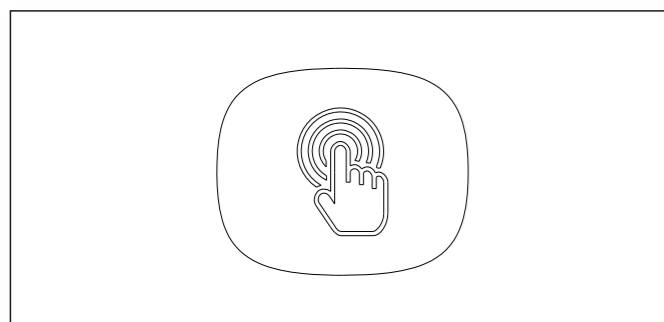
NO.	1	2	3
Definition	DMR1/5	DMR2/6	DMR3/7
NO	4	5	6
Definition	DMR4/8	REFGEN	COM/DRM0

**Notice:**  
1. When laying out signal cables, separate them from power cables to avoid strong signal interference sources  
2. Do not mix the connector to the DRM COM port and the connector to the SYS port.

## 4. Verifying the Installation

- 1.The MID 10-25KTL3-X is installed correctly and securely.
- 2.The Monitor is installed correctly and securely.
- 3.The Ground cable is connected correctly and securely.
- 4.The DC switch and all the switches connecting to the MID 10-25KTL3-X are OFF.
- 5.The AC output power cable, DC input power cable and signal cable are connected correctly and securely.
- 6.Unused terminals and ports are locked by watertight caps.

## 5. Powering On the System



Touch button	Description
Single touch	Switch display or Number +1
Double touch	Enter
Three touch	Previous menu
Hold 5s	Confirm Country setting or Number recover default value

Step1: Turn on the AC switch between the MID 10-25KTL3-X and the power grid.

Step2: Turn on the DC switch at the bottom of the MID 10-25KTL3-X.

Step3: When the OLED show "Country/Area", Please Set the country follow the below step otherwise skip all steps.

Country/Area  
Australia

Step4: Single touch to switch Country, such as

Country/Area  
Newzedland

Step5: Press the touch key for 5s,the OLED shows Country setting is complete.

Set OK

### Tips:

- 1.If the LED light is green, the system is operating normally.
- 2.You can reset the country by "Country/Area" in the submenu of "Set parameter".



Download  
Manual



Growatt New Energy

Shenzhen Growatt New Energy CO.,LTD

4-13/F,Building A,Sino-German(Europe) Industrial Park,  
Hangcheng Ave, Bao'an District, Shenzhen, China

T +86 0755 2747 1942

E service@ginverter.com

W www.ginverter.com

GR-UM-159-A-01